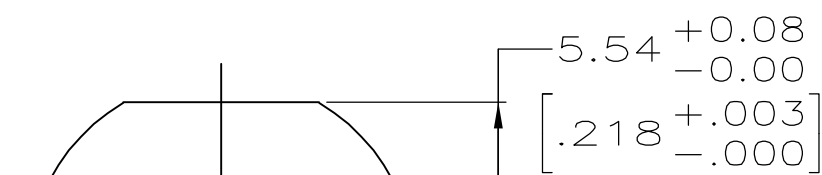
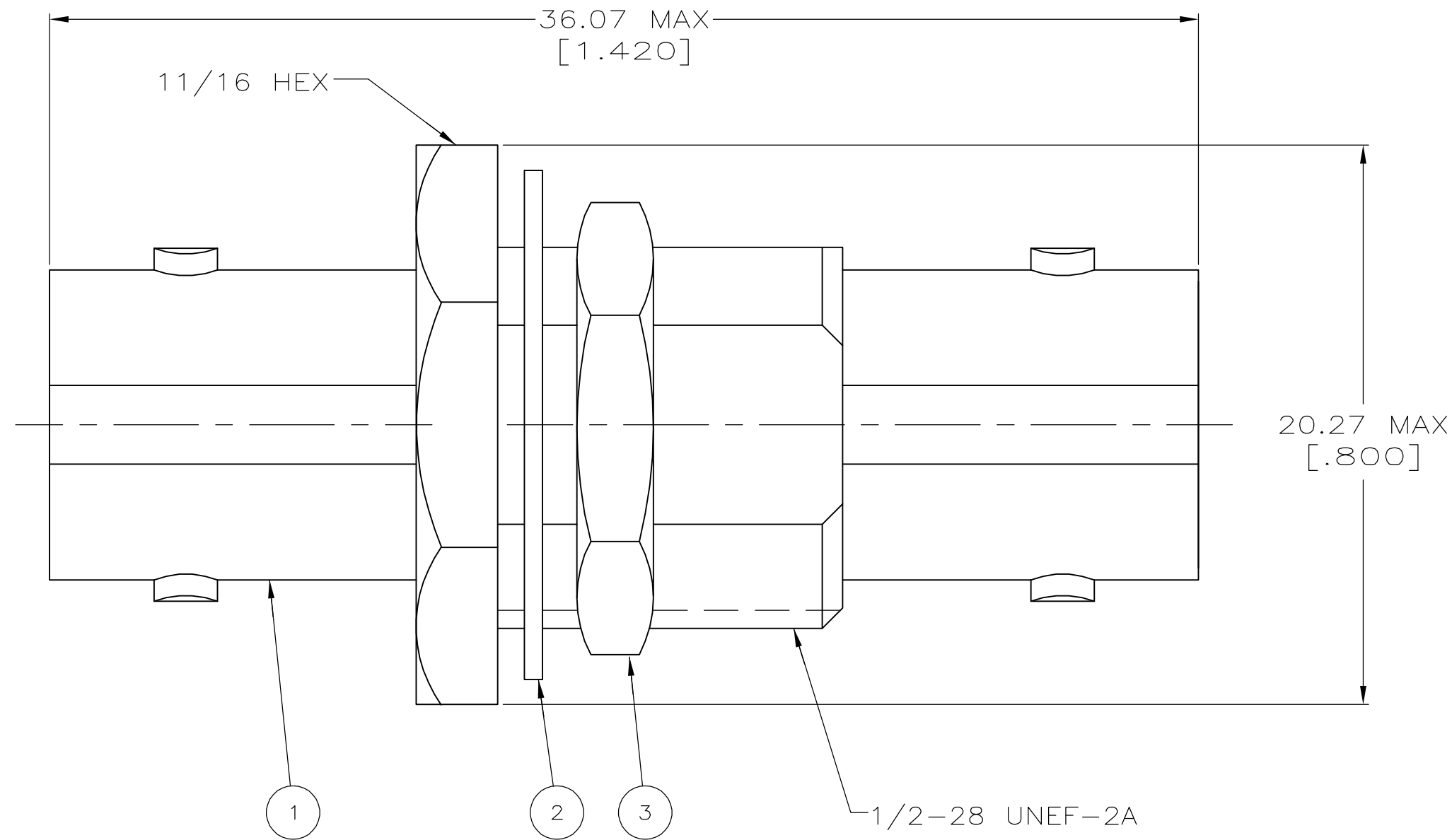


THIS DRAWING IS UNPUBLISHED. RELEASED FOR PUBLICATION  
 © COPYRIGHT BY TYCO ELECTRONICS CORPORATION. ALL RIGHTS RESERVED.

LOC	DIST	REVISIONS			
P	LTR	DESCRIPTION	DATE	DWN	APVD
AJ	16	A	REVISED PER ECO-06-012234	31MAY2006	KS JH

- 1. PARTS PACKAGED UNASSEMBLED
- 2. PANEL THICKNESS = 6.35 [.250] MAX



$\phi 12.83 \begin{matrix} +0.13 \\ -0.00 \end{matrix}$   
 $[\begin{matrix} .505 \\ -.000 \end{matrix}]$

RECOMMENDED PANEL CUTOUT  
 SCALE 4:1

1-329631-2	1-329632-2	222118-1	5222117-1
3 JAM NUT QTY=1	2 LOCK WASHER QTY=1	1 JACK ADAPTOR ASSY QTY=1	PART NUMBER

THIS DRAWING IS A CONTROLLED DOCUMENT.		DWN J. ALCORTA - DOCK5 19APR2005	Tyco Electronics Corporation Harrisburg, Pa 17105-3608	
DIMENSIONS: mm [INCHES]		CHK J. HAVENER 19APR2005	NAME ADAPTER, JACK, BULKHEAD 75 OHM, COMMERCIAL, BNC	
TOLERANCES UNLESS OTHERWISE SPECIFIED:		APVD J. LIPPERT 19APR2005	DRAWING NO A2 00779 C=5222117	
MATERIAL		PRODUCT SPEC	RESTRICTED TO	
FINISH		APPLICATION SPEC	SCALE 5:1	SHEET 1 OF 1
		WEIGHT	REV A	
		CUSTOMER DRAWING		